

# R A D I O N I C S

## D799 Retrofit Kit for the D7112 Control/Communicator Installation Instructions

### New Features and Improved Performance

After the introduction of the D7112 Control/Communicator, Radionics received a number of suggestions for improvements and enhanced features. In response, we developed new firmware and improved the hardware to better meet your needs. The D799 Retrofit Kit brings these improvements to D7112 panels with expiration date codes less than X9416. Find the expiration code on the label above the phone jack. See Figure 1.

Along with these instructions, your retrofit kit contains the D7112 Firmware Revisions 3.30/3.31 Release Notes (74-06670-000), a D7112 U2 PROM chip programmed with firmware revision 3.30, a specially modified phone cord (15-06688-000) and a new FCC label.

These retrofit instructions show you how to install the new firmware, phone cord, and FCC label. The new phone cord combined with the new firmware improves the D7112 phone line monitor's performance.

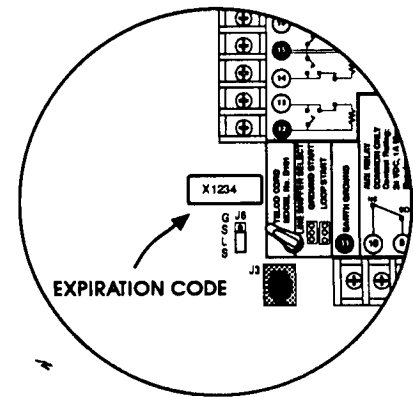


Figure 1: Expiration Code

**Don't use the D799 kit for panels with expiration codes of X9416 or greater:** The new version of firmware and the hardware improvements found in the special phone cord are built into panels labelled with these expiration codes.

### Installing Revision 3.30 Firmware

Gather the items below before you begin the installation of the revision 3.30 firmware.

- The D7112 U2 PROM chip from this package (Don't unwrap it yet!)
- A chip removal tool (you can substitute a small slotted screw driver)
- A D5200 programmer with the D7112 handler.
- The special phone cord from this package (Don't install it yet!)
- The new FCC label from this package

### Receive (Copy) and Save the Panel's Program

Changing the firmware should not alter the panel's program. However, static discharges to the panel during the chip removal and installation process could alter the program. Radionics recommends you receive (copy) and save the panel's program before you install the new firmware.

### Power Down the Panel

Disconnect the battery and unplug the transformer to power down the panel. Be sure to leave earth ground connected to terminal 11. This connection helps to protect the panel from electrostatic discharges.

## Remove the Faceplate

You need to remove the panel's faceplate to expose the panel's circuit board.

Squeeze the end of the plastic standoff holding the top left corner of the faceplate in place. See Figure 2. Needle nose pliers work well. Lift the corner of the faceplate clear of the standoff.

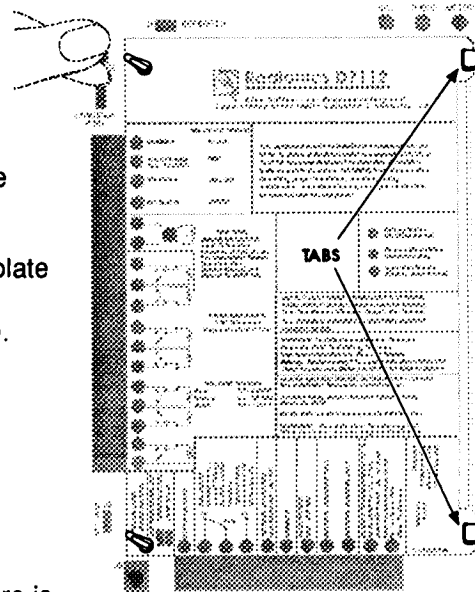
Repeat for the lower left corner. With the faceplate clear of both standoffs, swing it off the tabs securing the right side. Set the faceplate aside.

## Remove the Old Firmware

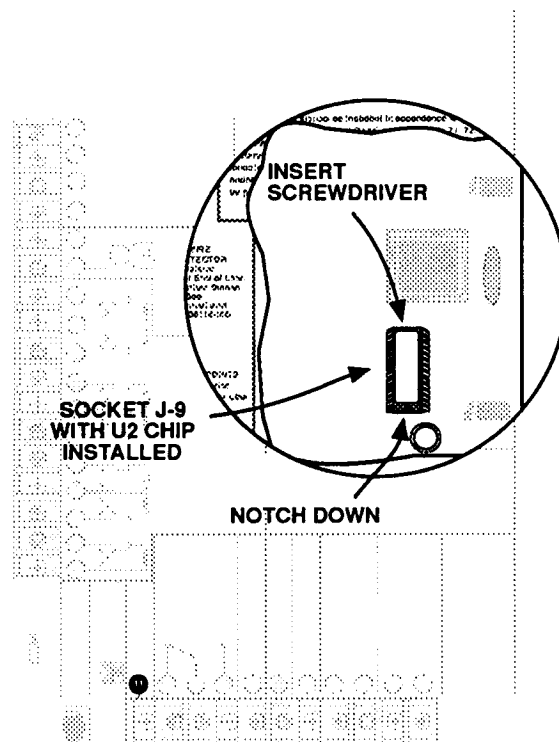
**STOP, Touch Terminal 11 First:** Before you begin removing the chip, touch terminal 11 to remove any electrostatic charge you may be carrying.

The D7112 U2 PROM chip with the old firmware is installed in socket J9 on the D7112 circuit board. See Figure 3.

Use a chip removal tool to remove the U2 chip, *or*, if you're using a small slotted screw driver, insert it between socket J9 and the U2 chip at the top of the chip. See the arrow in Figure 3. Take care you don't insert your screwdriver between the socket and the circuit board. Gently pry the chip from the socket.



**Figure 2:**  
**D7112 Faceplate**



**Figure 3: D7112 U2 PROM Location**

## Install the Revision 3.30 Firmware

***STOP, Touch Terminal 11 First:*** Electrostatic Discharges from your body can damage the new U2 PROM chip. Touch terminal 11 on the panel to ground yourself and discharge your body of electrostatic charges. Now remove the U2 chip from its protective packaging.

Insert the new U2 chip in socket J9. The notch on the chip goes towards the bottom of the panel. See Figure 3. Make sure all the pins on the chip are started into the socket. Use your thumbs to apply even pressure and press the chip completely into the socket.

## Install the Faceplate

Hook the right side of the faceplate over the tabs on the panel's heat sink. Swing the faceplate over the plastic standoffs, align the holes, and press it into place.

## Disconnect the Phone Cord and Power Up

Disconnect the existing phone cord from the panel and the RJ38X block. Set it aside. A new specially modified phone cord replaces it.

***Don't Connect the New Phone Cord Yet:*** After installing the new firmware, make sure the phone cord is disconnected from the panel. The panel must be powered up the first time with the phone cord disconnected so that the firmware can initialize properly.

Plug in the transformer and then reconnect the battery.

If you accidentally power the panel up the first time with the phone cord connected, power it down. Disconnect the phone cord and power up the panel.

Once the panel is properly initialized, it is not necessary to disconnect the phone cord each time you power it down.

## Install the Special Phone Cord and Test

***Wait for 30 Seconds:*** After powering up the panel, wait for 30 seconds for it to initialize before connecting the new phone cord to the panel.

Perform a complete test of the panel.

If the panel fails to operate correctly, try sending (loading) the program you saved before powering down the panel. Test the panel again.

If problems persist, contact Radionics Customer Service at 1-800-538-5807 for help.

## Put the new FCC Label on the Enclosure

After connecting the modified phone cord to the RJ31X or RJ38X phone jack, you must affix the new FCC label to the enclosure.

Remove the adhesive backing from the new label. Place the label next to the existing label on the enclosure. See Figure 4. Press the label firmly to the enclosure.

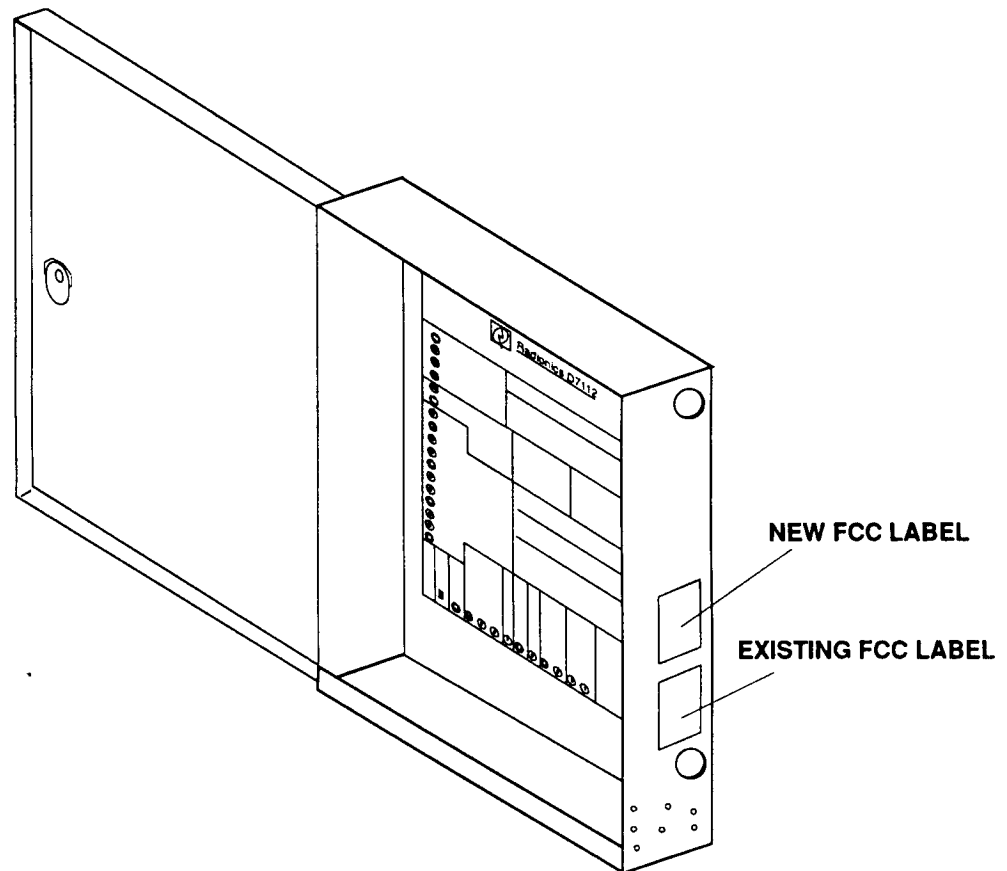


Figure 4: FCC Labels

© 1993 Radionics, Inc., Salinas, CA, U.S.A. All rights reserved.

™ The Radionics logo is a registered trademark of Radionics, Inc., Salinas, CA.



**Radionics**™

Radionics, Inc., 1800 Abbott Street  
Salinas, CA, 93901, U.S.A.  
Customer Service: (800) 538-5807

Radionics, 1 Park Gate Close, Bredbury  
Stockport, Cheshire, SK6 2SZ, England  
Technical Support: (061) 494-0851